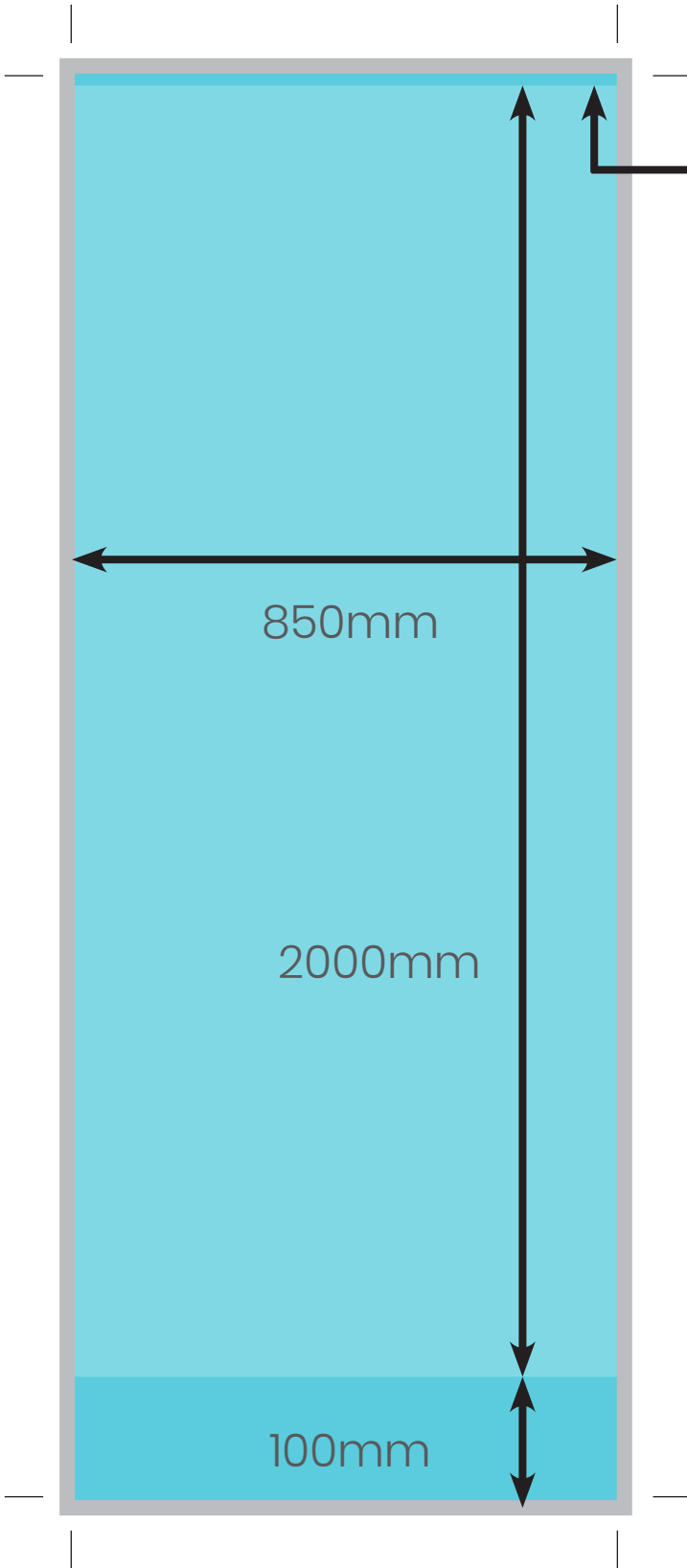


Pull up banner dimensions

850 Race (Budget)

Trim 850mm W x 2100mm H



The light cyan area is the main body area and is what's seen. The dark cyan area needs to be the same colour as the main body but is not likely to be seen as it's rolled into the stand or is in the top clamp. The grey area shows that the press pdf needs 3mm bleed and trim marks.



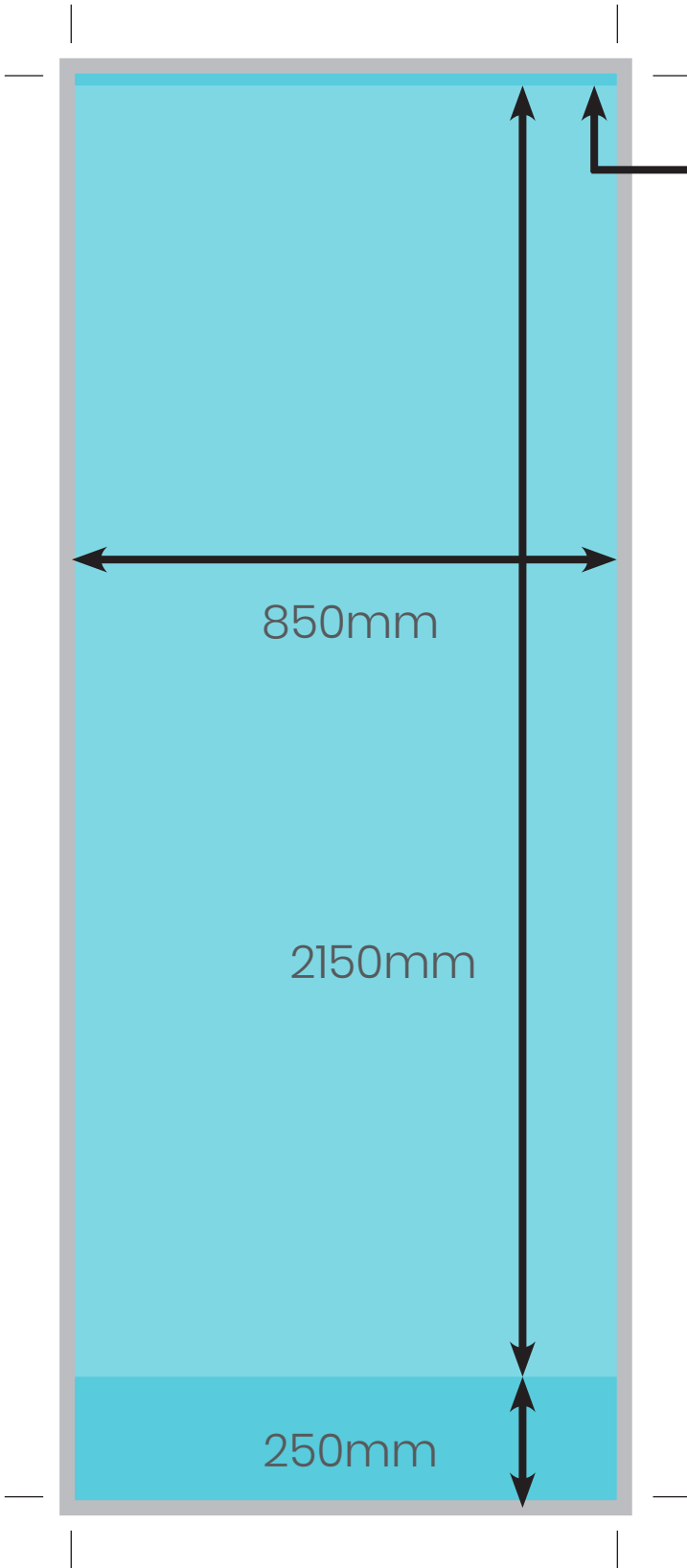
Denotes 3mm bleed

Please make lowest section similar colour as main body. This is the area that won't show as rolls into stand.

Pull up banner dimensions

850 Scroll (Mid Range)

Trim 850mm W x 2400mm H



10mm

The dark yellow area is the main body area and is what's seen. The light yellow area needs to be the same colour as the main body but is not likely to be seen as it's rolled into the stand or is in the top clamp. The grey area shows that the press pdf needs 3mm bleed and trim marks.



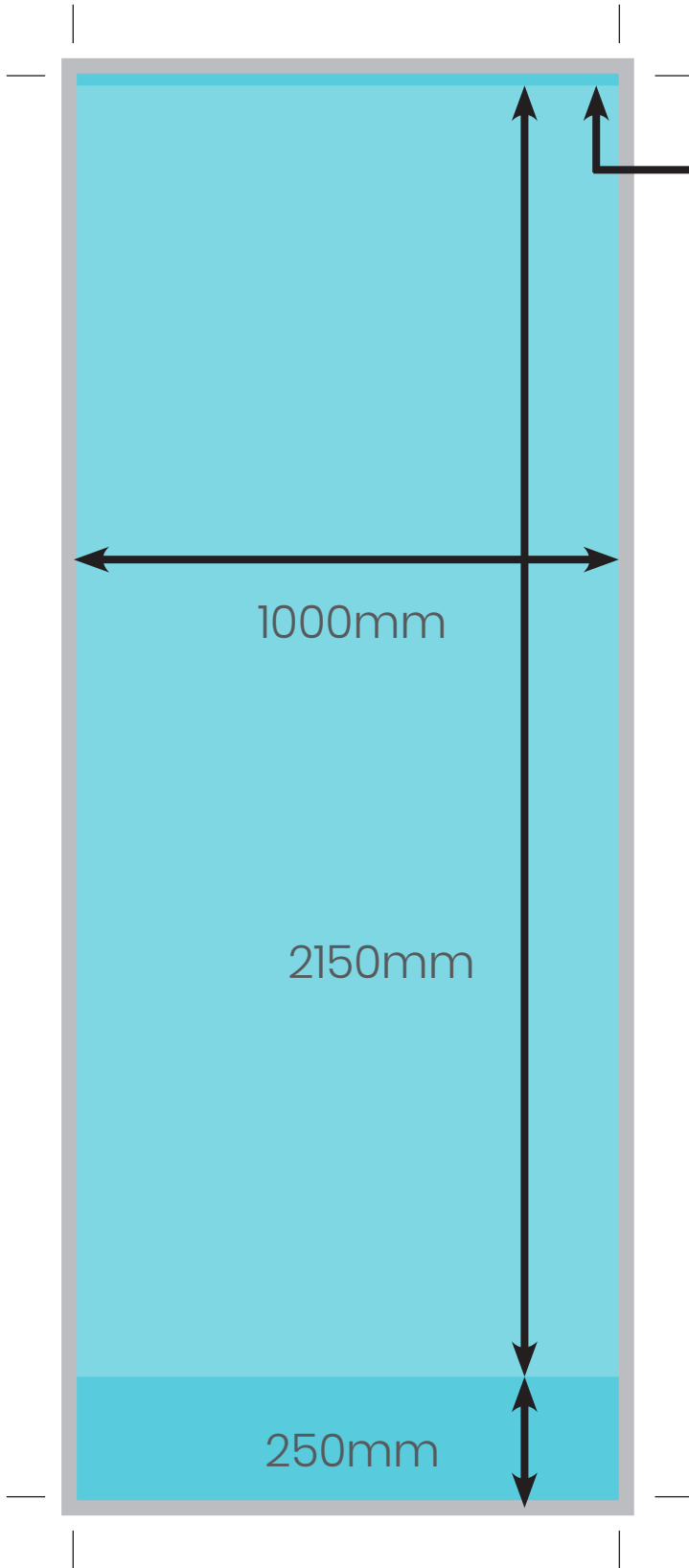
Denotes 3mm bleed

Please make lowest section similar colour as main body. This is the area that won't show as rolls into stand.

Pull up banner dimensions

1000 Scroll (Mid Range)

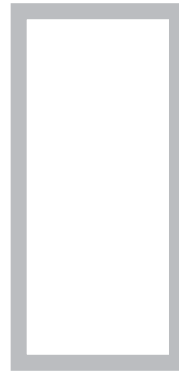
Trim 1000mm W x 2400mm H



10mm

The dark yellow area is the main body area and is what's seen. The light yellow area needs to be the same colour as the main body but is not likely to be seen as it's rolled into the stand or is in the top clamp. The grey area shows that the press pdf needs 3mm bleed and trim marks.

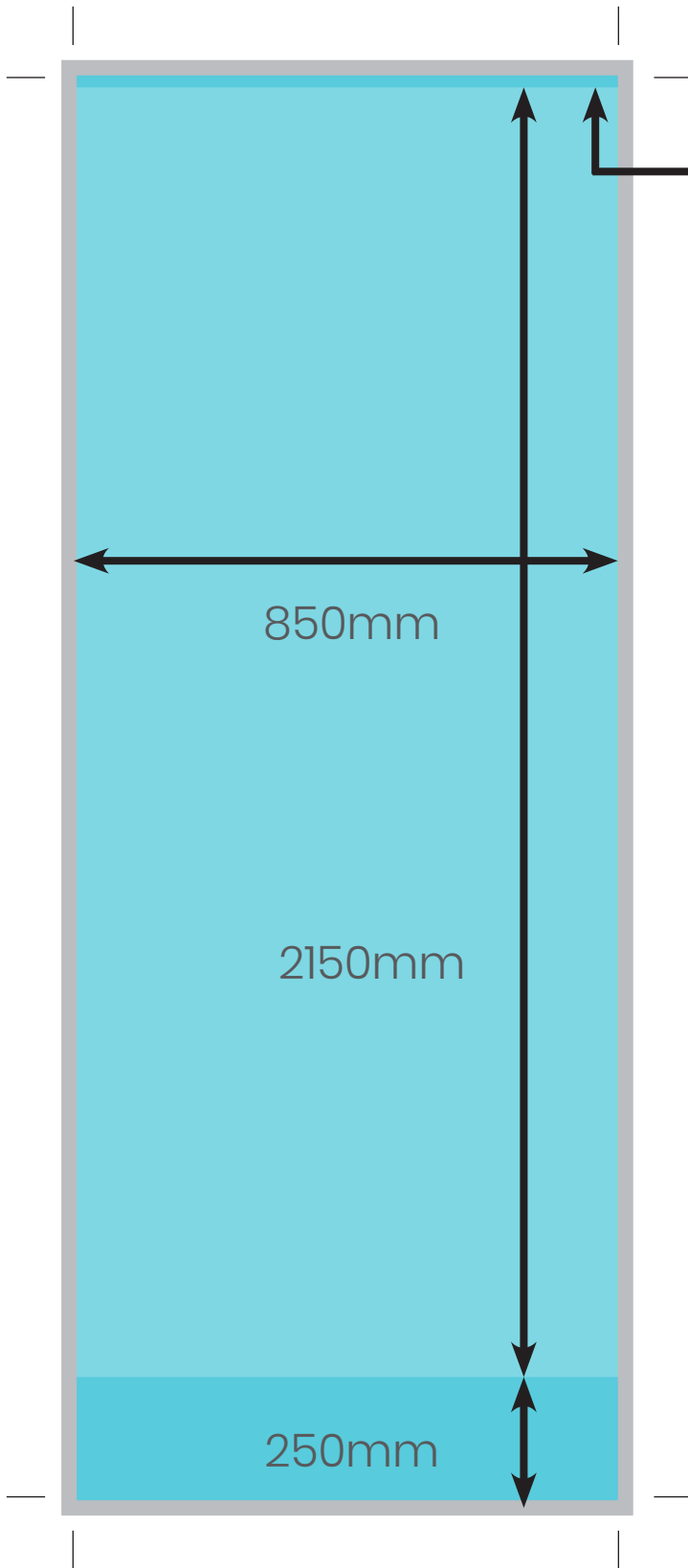
Denotes 3mm bleed



Please make lowest section similar colour as main body. This is the area that won't show as rolls into stand.

Pull up banner dimensions 850 Supreme (Premier)

Trim 850mm W x 2400mm H



10mm

The dark yellow area is the main body area and is what's seen. The light yellow area needs to be the same colour as the main body but is not likely to be seen as it's rolled into the stand or is in the top clamp. The grey area shows that the press pdf needs 3mm bleed and trim marks.

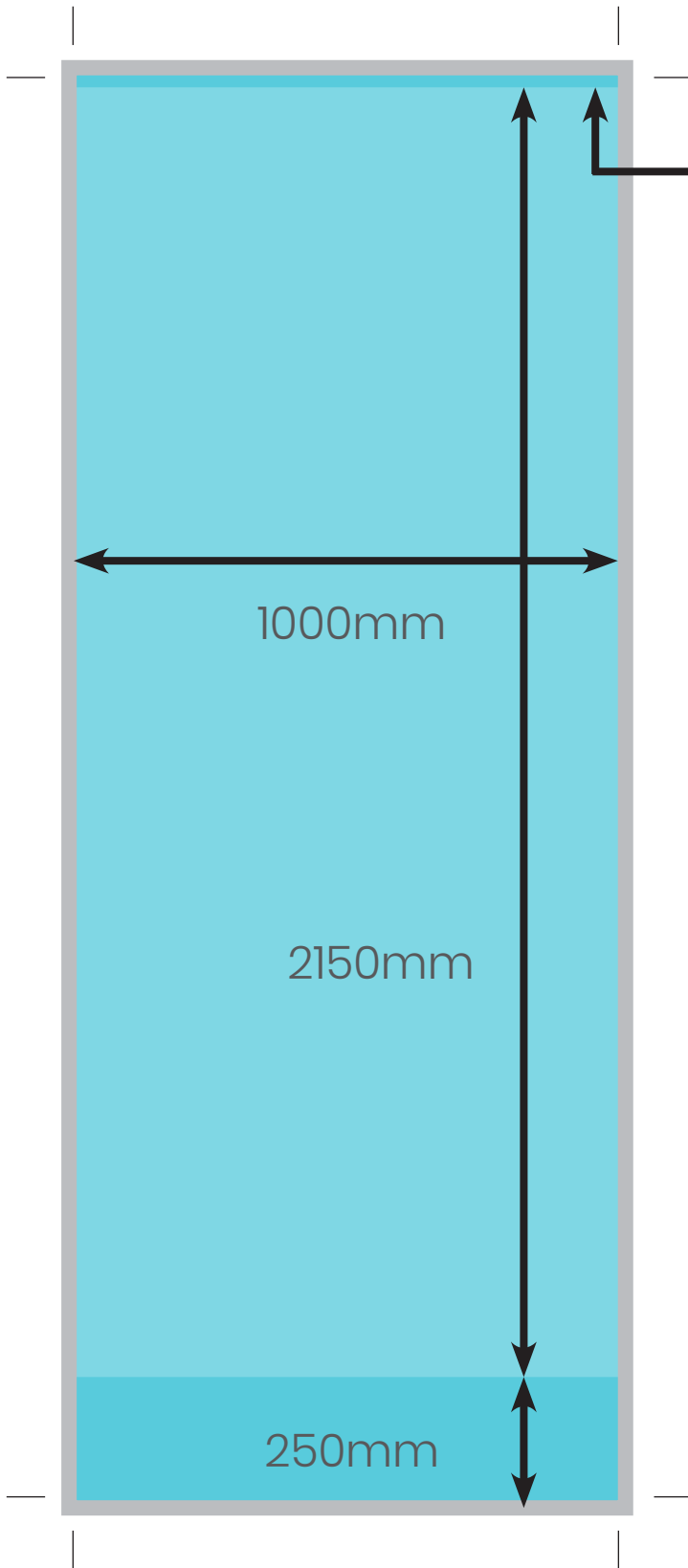


Denotes 3mm bleed

Please make lowest section similar colour as main body. This is the area that won't show as rolls into stand.

Pull up banner dimensions 1000 Supreme (Premier)

Trim 1000mm W x 2400mm H



10mm

The dark yellow area is the main body area and is what's seen. The light yellow area needs to be the same colour as the main body but is not likely to be seen as it's rolled into the stand or is in the top clamp. The grey area shows that the press pdf needs 3mm bleed and trim marks.



Denotes 3mm bleed

1000mm

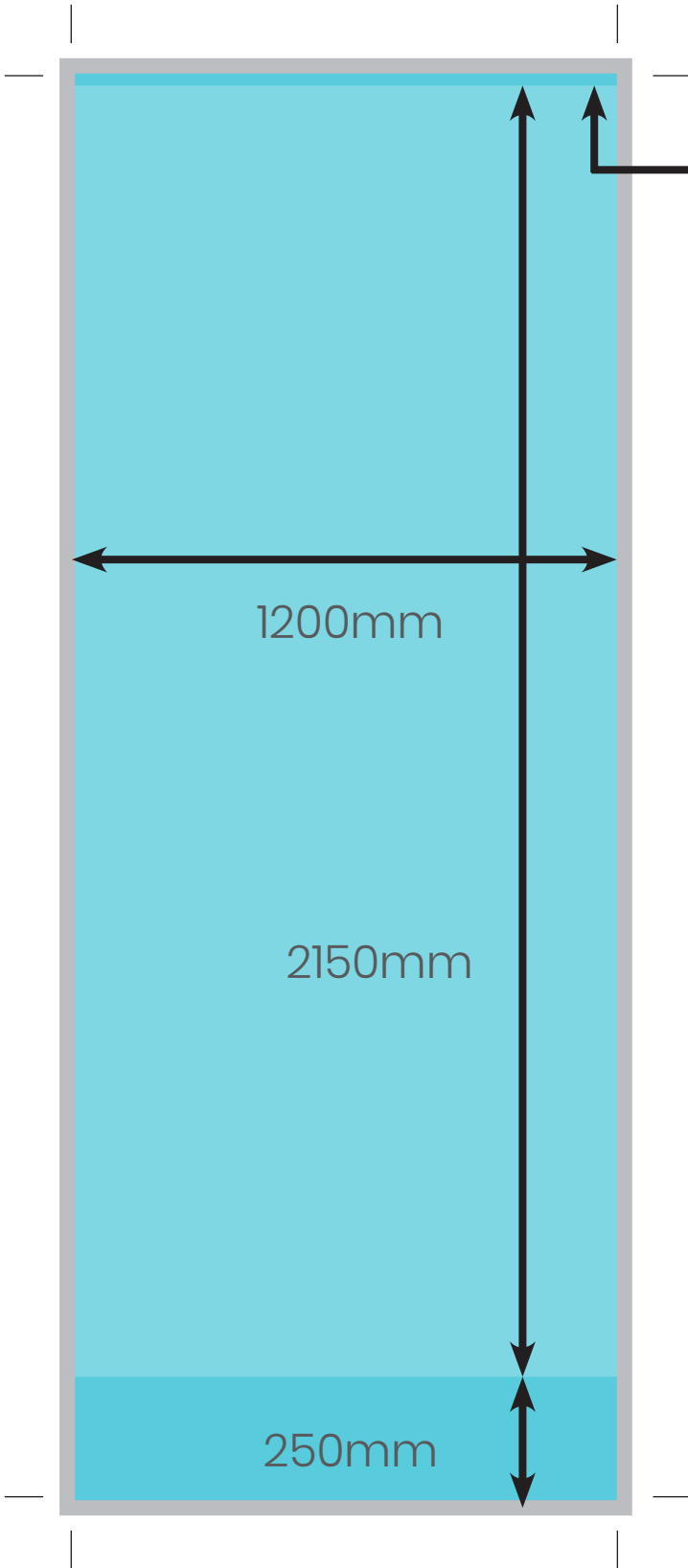
2150mm

250mm

Please make lowest section similar colour as main body. This is the area that won't show as rolls into stand.

Pull up banner dimensions 1200 Supreme (Premier)

Trim 1200mm W x 2400mm H



10mm

The dark yellow area is the main body area and is what's seen. The light yellow area needs to be the same colour as the main body but is not likely to be seen as it's rolled into the stand or is in the top clamp. The grey area shows that the press pdf needs 3mm bleed and trim marks.



Denotes 3mm bleed

1200mm

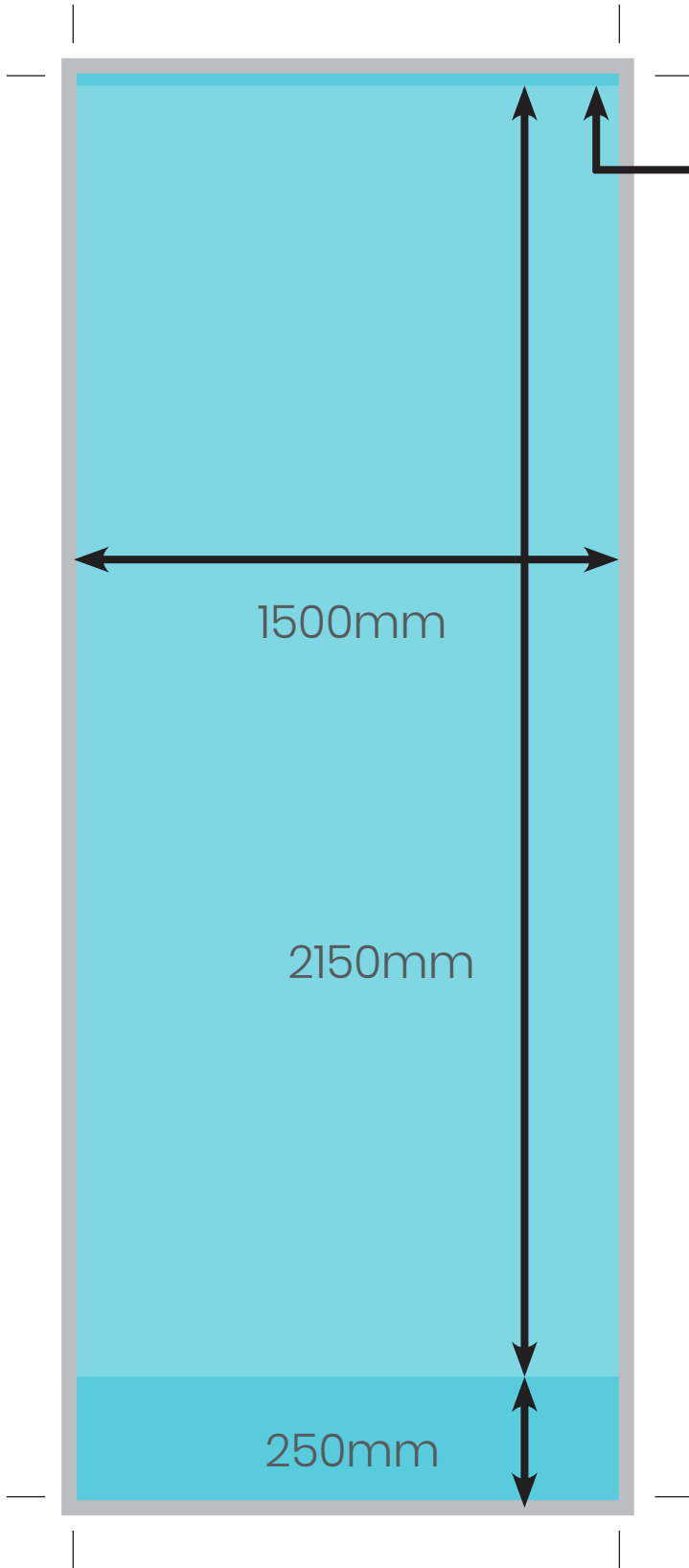
2150mm

250mm

Please make lowest section similar colour as main body. This is the area that won't show as rolls into stand.

Pull up banner dimensions 1500 Supreme (Premier)

Trim 1500mm W x 2400mm H



10mm

The dark yellow area is the main body area and is what's seen. The light yellow area needs to be the same colour as the main body but is not likely to be seen as it's rolled into the stand or is in the top clamp. The grey area shows that the press pdf needs 3mm bleed and trim marks.



Denotes 3mm bleed

1500mm

2150mm

250mm

Please make lowest section similar colour as main body. This is the area that won't show as rolls into stand.